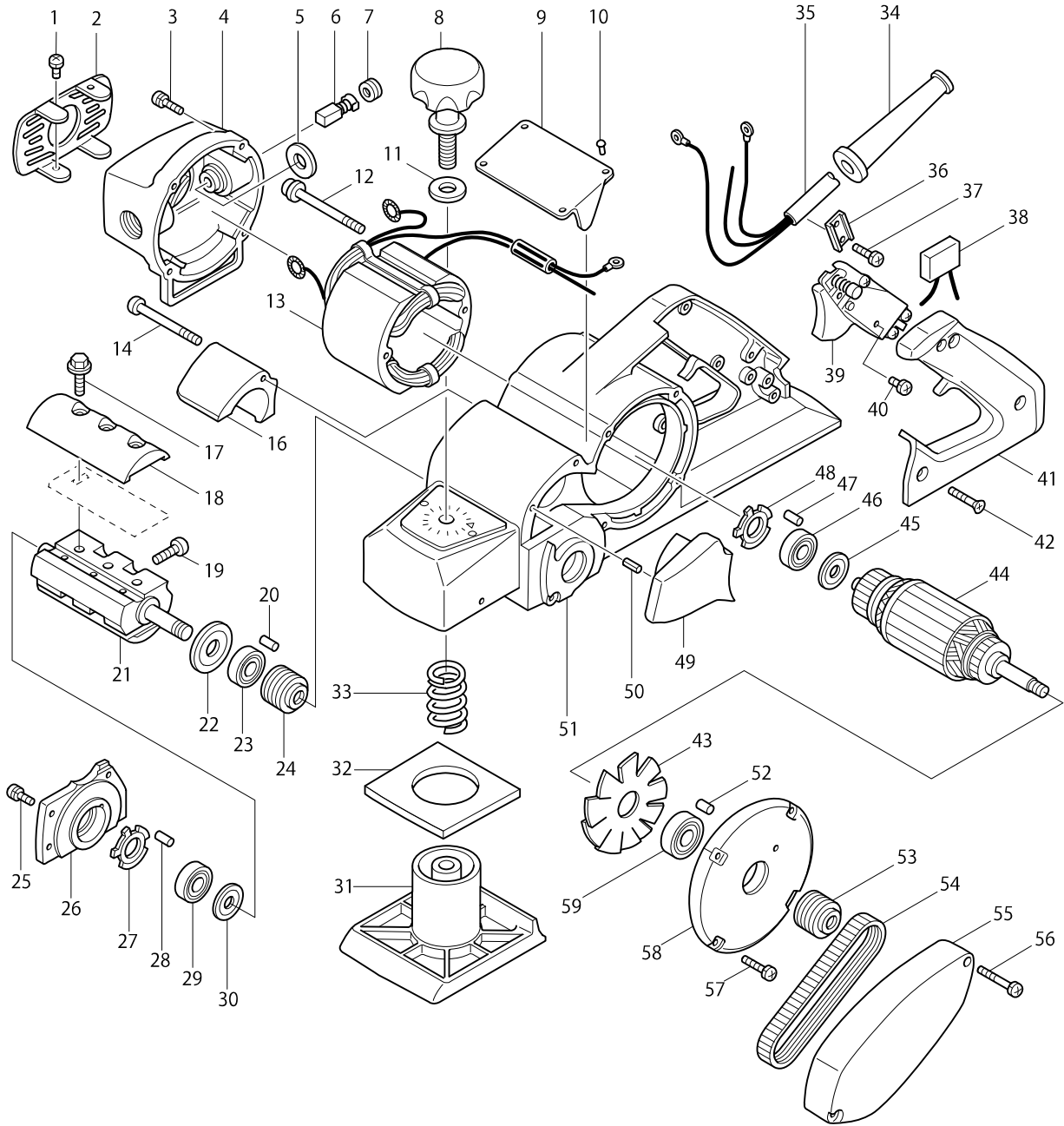


Model No. 1600 POWER PLANER 80MM



Model No. 1600 POWER PLANER 80MM

Item	Parts No.	Description	I/C	QTY	N/O	Opt. 1	Opt. 2	NOTE
001	911107-6	PAN HEAD SCREW M4X8		2				
002	284046-6	REAR COVER		1				
003	911126-2	PAN HEAD SCREW M4X16		4				
004	156464-7	MOTOR REAR HOUSING		1				
C10	643603-3	BRUSH HOLDER 6-10		2				
C20	913206-0	SET SCREW M5X8		2				
D10		INC. 47						
005	681001-3	INSULATION WASHER		2				
006B_	181030-1	CARBON BRUSH CB-100		1	*			
006B1	194974-6	CARBON BRUSH SET CB-100	<	1				
007	643600-9	BRUSH HOLDER CAP 6-10		2				
008	271226-3	KNOB 50		1				
009	811552-4	NAME PLATE 1600		1				
010	953106-2	RIVET 0-5		4				
011	941251-5	FLAT WASHER 10		1				
012-1	911285-2	PAN HEAD SCREW M5X60	O	2				
013C_	523014-7	FIELD ASS'Y 220V		1				
C10	654019-7	RING TERMINAL		2				
C20	654501-6	CONNECTOR P-1.25		2				
014-1	265012-2	+ PAN HEAD SCREW M5X55	S	1				
016	312013-2	CHIP COVER		1				
017	251609-3	HEX. FLANGE HEAD BOLT M6X17		6				
018	345002-2	DRUM PLATE		2	*			
018-1	187677-9	DRUM PLATE SET	O	1				
019	251212-0	+ FLAT HEAD SCREW M5X13		4				
020	263002-9	RUBBER PIN 4		4				
021	161003-0	DRUM		1				
022	213051-6	DUST SEAL 10		1				
023	211066-7	BALL BEARING 6200LLB		1				
024	222004-4	V-PULLEY 5-25		1				
025	911121-2	PAN HEAD SCREW M4X14		4				
026	156959-0	DRUM HOUSING		1				
D10		INC. 28						
027	253935-6	PRELOAD WASHER 14		1				
028	263002-9	RUBBER PIN 4		1				
029	211056-0	BALL BEARING 629LLB		1	*			
029-1	210042-8	BALL BEARING 629LLB	O	1				
030	213052-4	DUST SEAL 9		1				
031	312014-0	FRONT BASE		1				
032	421003-5	RUBBER PACKING		1				
033	231001-9	COMPRESSION SPRING 17		1				
034	682505-8	CORD GUARD 10-90		1				
035Q1	691157-4	POWER SUPPLY CORD 0.75-3-5.0	O	1				
036-1	687053-2	STRAIN RELIEF	X	1				
037-1	911123-8	PAN HEAD SCREW M4X14	O	2	*			
037-2	911133-5	PAN HEAD SCREW M4X18	X	2				
039-1	651016-4	SWITCH HPAHR2-2	O	1				
040	911106-8	PAN HEAD SCREW M4X8		1				

