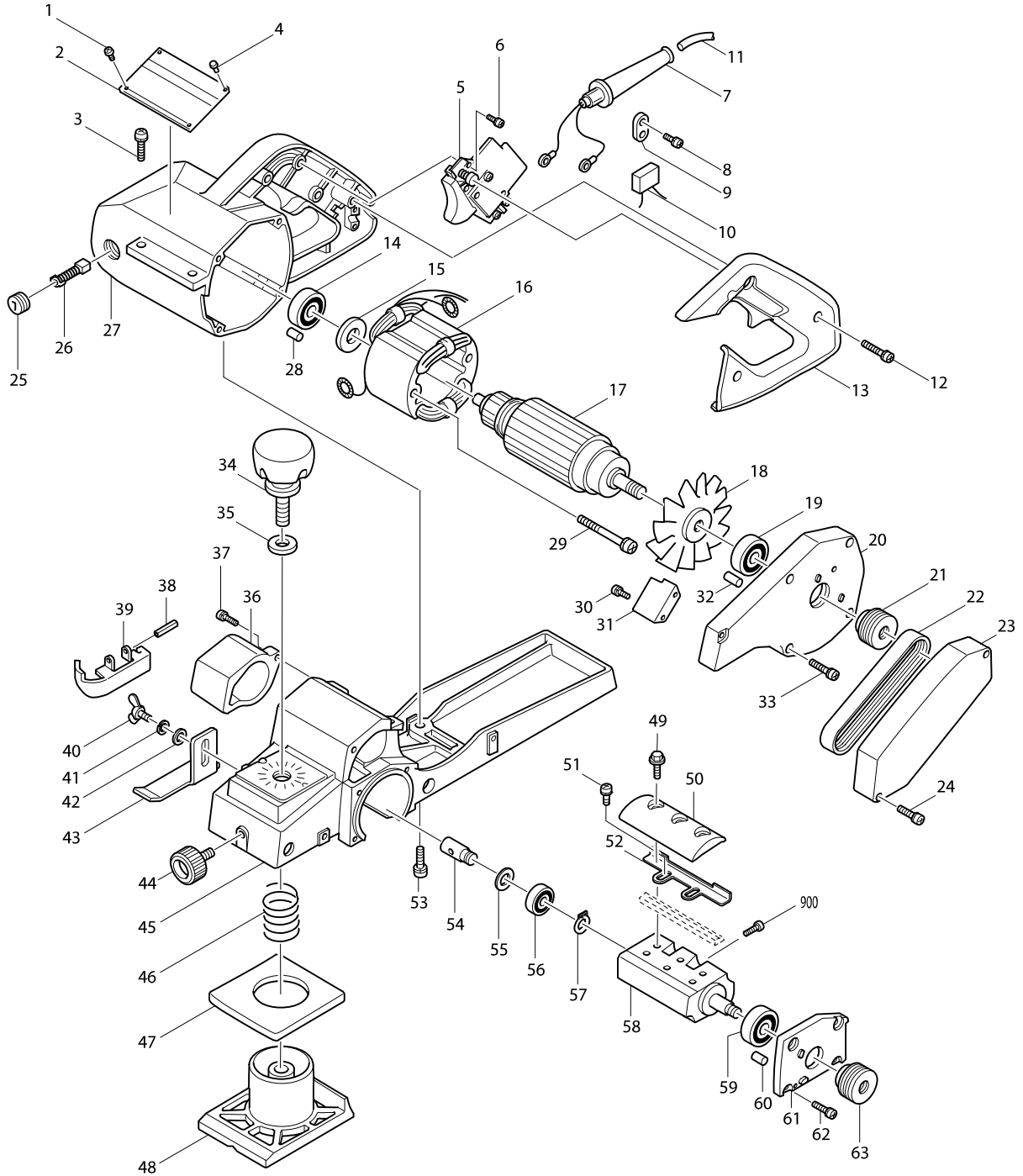


Model No. 1100 POWER PLANER 82MM



Item	Parts No.	Description	I/C	QTY	N/O	Opt. 1	Opt. 2	NOTE
001	911001-2	PAN HEAD SCREW M3X6		2				
002	811751-8	NAME PLATE 1100		1				
003	911228-4	PAN HEAD SCREW M5X18		2				
004	953106-2	RIVET 0-5		2				
005-1	651016-4	SWITCH HPAHR2-2		1				
006-1	911101-8	PAN HEAD SCREW M4X6		1				
007C_	682504-0	CORD GUARD 10-85		1				
008-1	911133-5	PAN HEAD SCREW M4X18		2				
009-1	687053-2	STRAIN RELIEF		1				
011R1	691025-1	POWER SUPPLY CORD 0.75-2-5.0		1				
012	911153-9	PAN HEAD SCREW M4X28		3				
013	411632-2	HANDLE COVER		1				
014	211068-3	BALL BEARING 6200LB		1				
015-1	681623-9	INSULATION WASHER		1				
016C_	523014-7	FIELD ASS'Y 220V		1				
C10	654019-7	RING TERMINAL		2				
C20	654501-6	CONNECTOR P-1.25		2				
017C1	513398-1	ARMATURE ASS'Y 220V		1				
D10		INC. 14,15,18,19						
018	241001-1	FAN 80		1				
019	211066-7	BALL BEARING 6200LLB		1				
020	152191-4	BRACKET COMPLETE		1	*			
D10		INC. 32			*			
020-1	312246-9	BRACKET	O	1				
021	222002-8	V-PULLEY 5-26.5L		1				
022	225001-9	POLY V-BELT 5-285		1				
023	411004-1	BELT COVER		1	*			
023-1	411004-1	BELT COVER	O	1				
024	911148-2	PAN HEAD SCREW M4X25		2				
025	643600-9	BRUSH HOLDER CAP 6-10		2				
026C_	181030-1	CARBON BRUSH CB-100		1	*			
026C1	194974-6	CARBON BRUSH SET CB-100	<	1				
027C_	156308-1	MOTOR HOUSING		1	*			
C10	643603-3	BRUSH HOLDER 6-10		2	*			
C20	913206-0	SET SCREW M5X8		2	*			
D10		INC. 28			*			
027C1	159529-4	MOTOR HOUSING		1				
C10	643603-3	BRUSH HOLDER 6-10		2	*			
C11	643609-1	BRUSH HOLDER 6-10	O	2				
D10		INC. 28						
028-1	263013-4	RUBBER PIN 4		1				
029-1	911290-9	PAN HEAD SCREW M5X65		2				
030	911101-8	PAN HEAD SCREW M4X6		2				
031	342148-5	BAFFLE COVER		1				
032	263002-9	RUBBER PIN 4		1	*			
033	911146-6	PAN HEAD SCREW M4X25		5				
034	271226-3	KNOB 50		1				
035	941251-5	FLAT WASHER 10		1				

Item	Parts No.	Description	I/C	QTY	N/O	Opt. 1	Opt. 2	NOTE
036	312004-3	CHIP COVER		1				
037-1	911138-5	PAN HEAD SCREW M4X20		1				
038	951131-7	SPRING PIN 4-40		1				
039	342002-3	DRUM COVER		1				
040	924206-5	WING BOLT M5X10		1				
041	942101-7	SPRING WASHER 5		1				
042	941101-4	FLAT WASHER 5		1				
043	342001-5	DEPTH GUIDE		1				
044	251804-5	SCREW M6X13		1				
045	156510-6	MAIN FRAME		1				
C11	816333-1	SCALE LABEL		1				
046	231001-9	COMPRESSION SPRING 17		1				
047	421001-9	RUBBER PACKING		1				
048	312002-7	FRONT BASE		1				
049	251609-3	HEX. FLANGE HEAD BOLT M6X17		6				
050	345001-4	DRUM PLATE		1	*			
050-1	187676-1	DRUM PLATE SET	O	1				
051	251246-3	+ PAN HEAD SCREW M4X5		4				
052	342430-2	ADJUST PLATE		2	*			
052-1	345644-2	ADJUST PLATE	<	2				
053	911226-8	PAN HEAD SCREW M5X18		2	*			
053-1	911228-4	PAN HEAD SCREW M5X18	O	2				
054	323001-4	DRUM REAR SHAFT		1				
055	253139-0	FLAT WASHER 8		1				
056-2	211032-4	BALL BEARING 608ZZ		1				
057	961004-6	RETAINING RING S-8		1				
058	161048-8	DRUM		1				
059	211107-9	BALL BEARING 6201ZZ		1				
060	263005-3	RUBBER PIN 6		1				
061	157022-2	DRUM HOUSING		1				
D10		INC. 60						
062	911121-2	PAN HEAD SCREW M4X14		4				
063	222001-0	V-PULLEY 5-29.4		1				
400	934301-3	WING NUT M6		2				
402	123004-6	SHARPENING HOLDER ASS'Y		1				
D10		INC. 400,403						
403	251920-3	CAP SQUARE NECK BOLT M6X30		2				
404	161046-2	GUIDE RULE		1				
406	411086-3	GAUGE PLATE		1				
407	911228-4	PAN HEAD SCREW M5X18		2				
408	123062-2	BLADE GAUGE ASS'Y		1				
D10		INC. 406,407						
411B_	181790-5	STEEL CARRYING CASE		1	*			
411B1	181790-5	STEEL CARRYING CASE	O	1				
412-2	793004-6	PLANER BLADE 82		1				
414	442200-0	ANTI CORROSION PAPER		1				