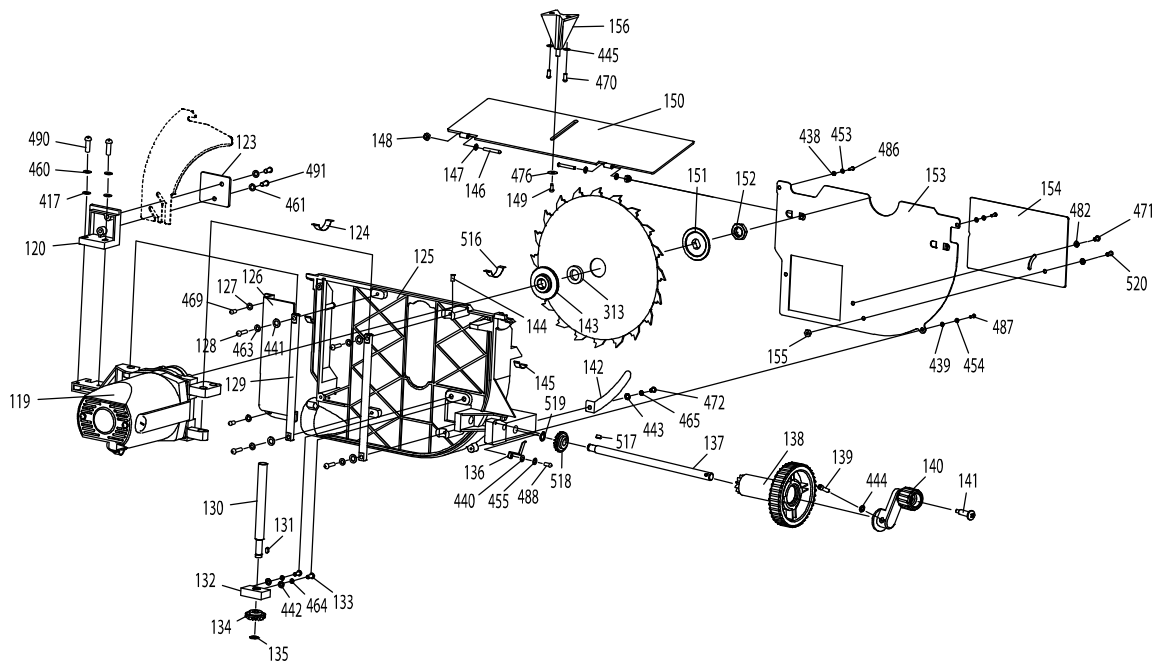
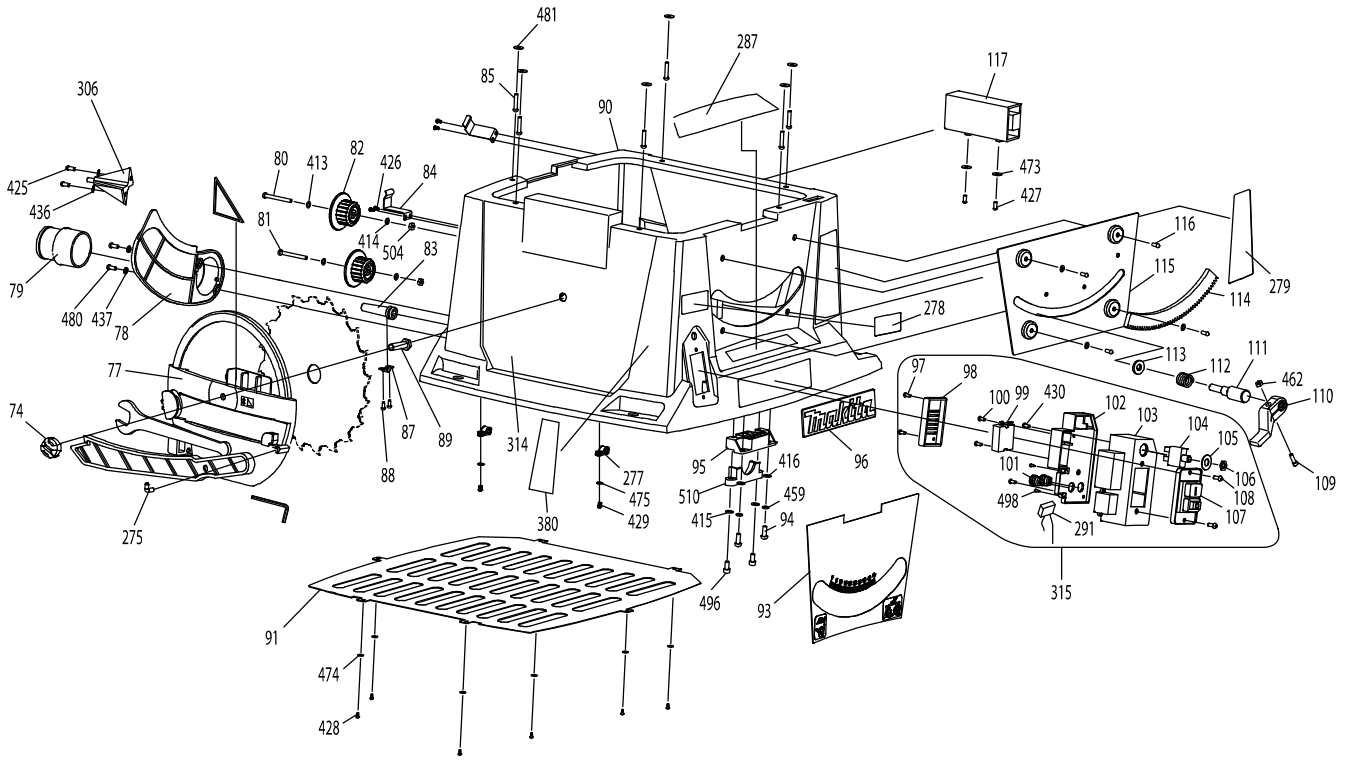
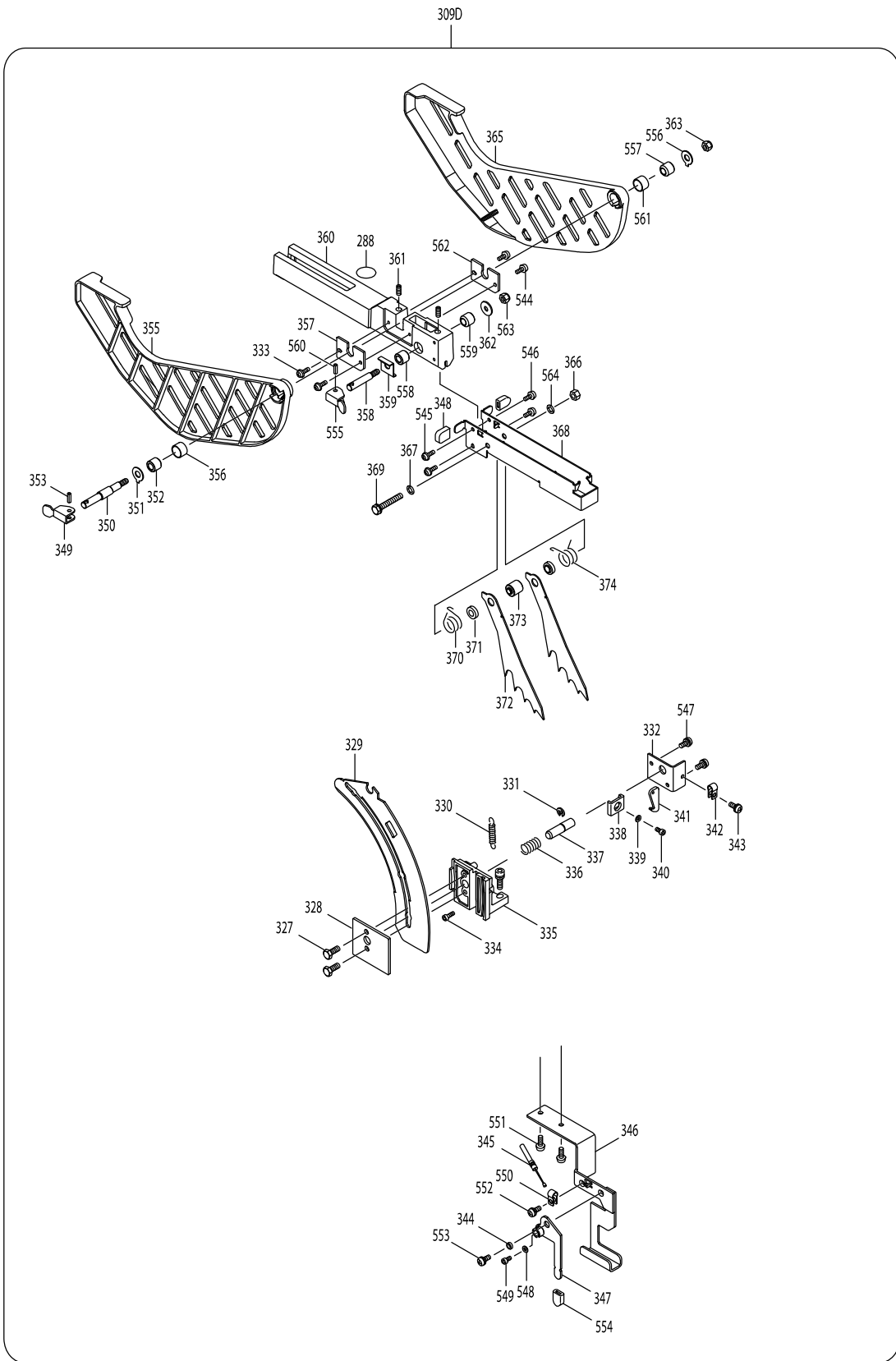


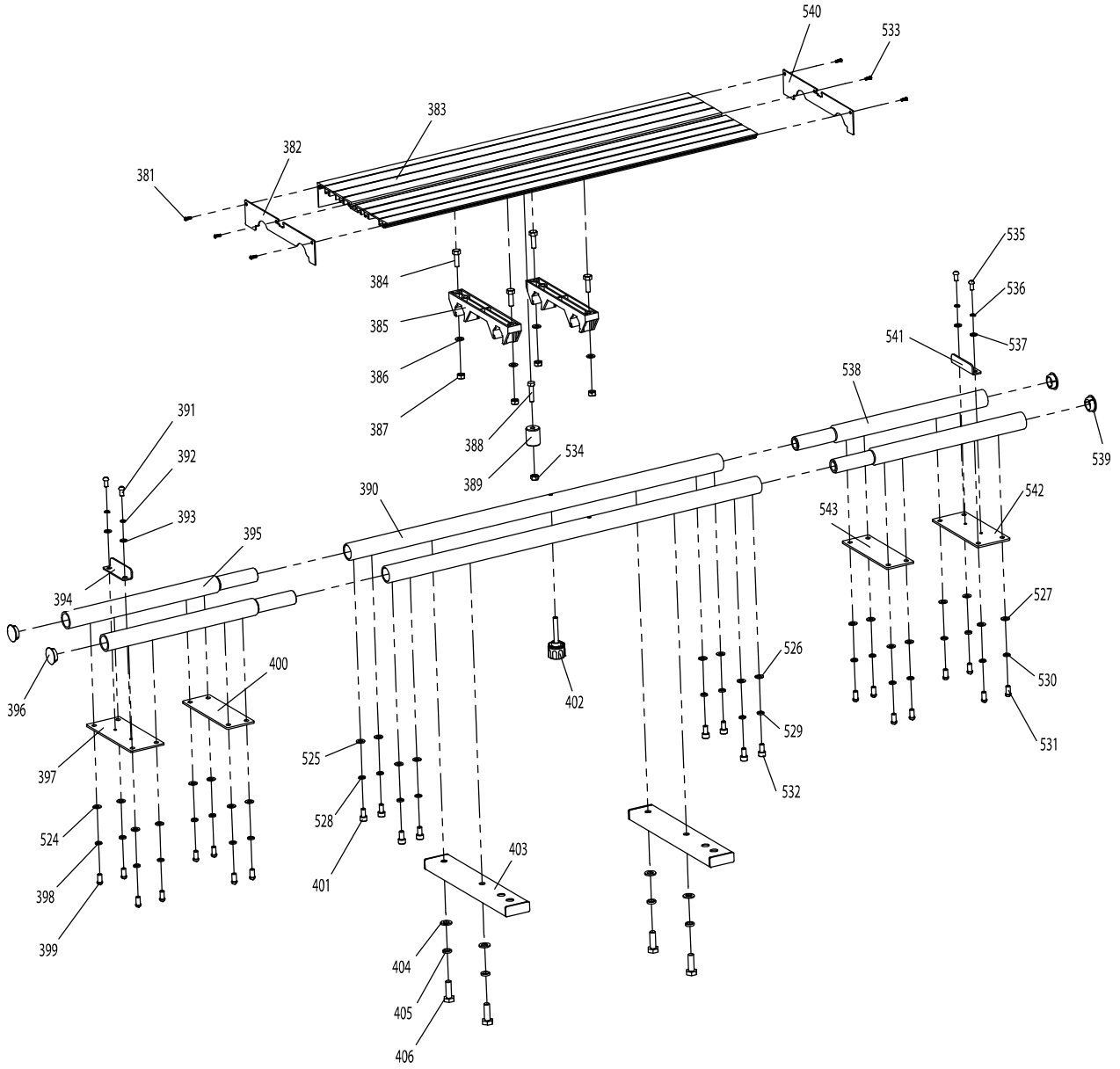
Model No. MLT100 TABLE SAW 255MM



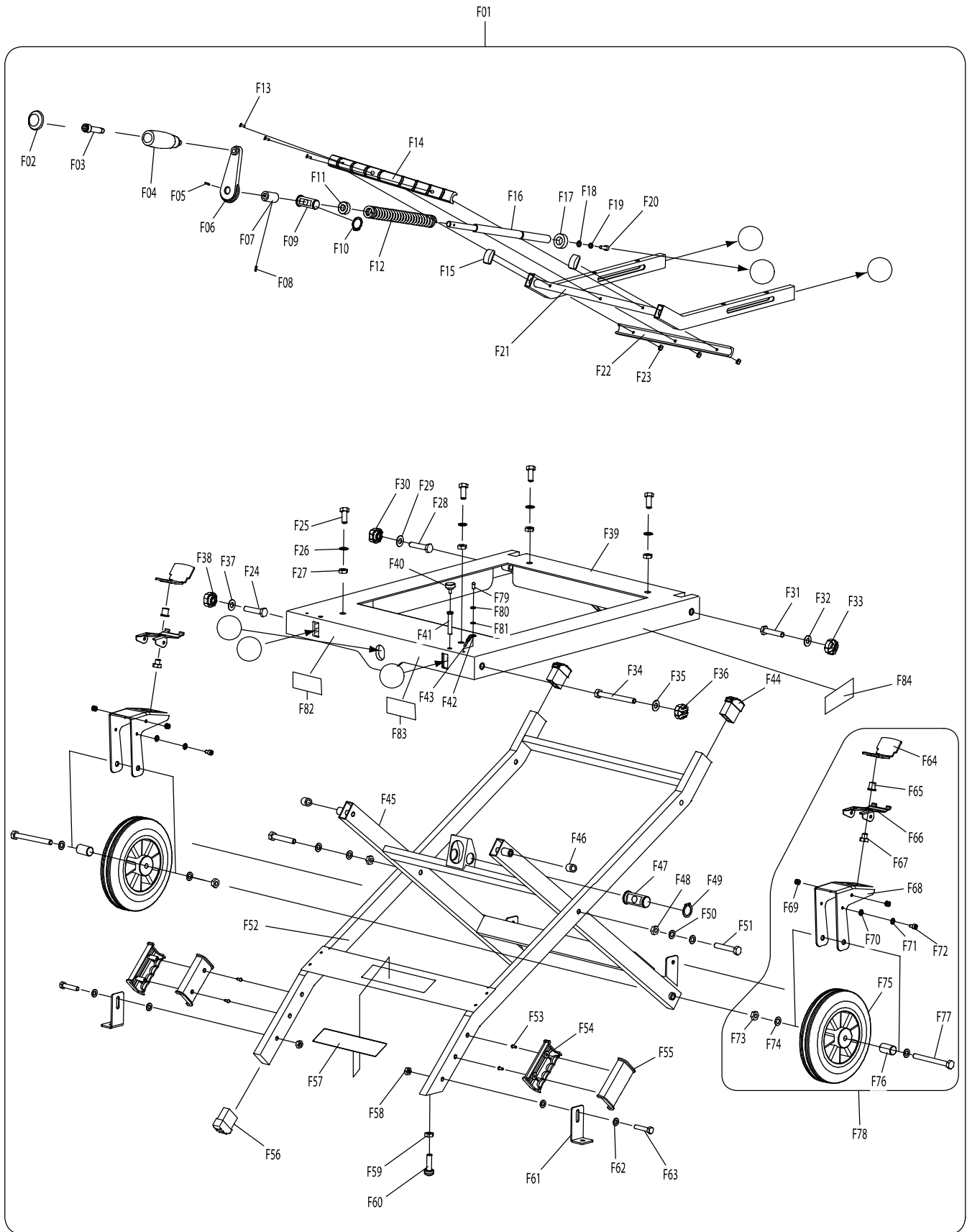
Model No. MLT100 TABLE SAW 255MM



Model No. MLT100 TABLE SAW 255MM



Model No. MLT100 TABLE SAW 255MM



Model No. MLT100 TABLE SAW 255MM

Item	Parts No.	Description	I/C	QTY	N/O	Opt. 1	Opt. 2	NOTE
001	JM27000001	HEX.BOLT M10X35		4				
002	JM27000002	SPRING WASHER 10		4				
003	JM27000003	FLAT WASHER 10		4				
004	JM27000004	CROSS HEAD SELF TAPPING SCREW		2				
005	JM27000005	EXTERIOR HALF HANDLE		1				
006	JM27000006	INTERIOR HALF HANDLE		1				
007	JM27000007	HEX.LOCK NUT M4		1				
008	JM27000008	BOTTOM		1				
009	JM27000009	FLAT WASHER 4		2				
010	JM27000010	LIMITED BRACKET		1				
011	JM27000011	CROSS HEAD SCREW M4X12		2				
012	JM27000012	FIX BRACKET B		1				
013	JM27000013	SPRING WASHER 4		2				
014	JM27000014	FIX FLAT RAIL		2				
015	JM27000015	SLIDING FLAT RAIL		1				
016	JM27000016	CROSS HEAD SCREW M6X10		1				
017	JM27000017	SPRING WASHER 6		3	*			
017-1	JM27000024	FLAT WASHER 6	X	3				
018	JM27000018	SLIDING TABLE RACK RAIL		1				
019	JM27000019	FIX BRACKET B		1				
020	JM27000020	SLIDING FLAT RAIL COVER		2				
021	JM27000021	SLIDING RAIL COVER		2				
022	JM27000022	FIX RAIL I		2				
023	JM27000023	SLIDING RAIL		1				
024	JM27000024	FLAT WASHER 6		2				
025	JM27000025	GEAR		1				
026	JM27000026	RIVET 5X9		6				
027	JM27000027	CROSS HEAD SCREW M4X10		2				
028	JM27000028	SHAFT		1				
029	JM27000029	RETAINING RING 6		1				
030	JM27000030	SLIDING LIMITED PLATE		1				
031	JM27000031	GEAR LIMITED C		1				
032	JM27000032	HEX. NUT M6		12				
033	JM27000033	HEX BOLT M6X10		12				
034	JM27000034	CONNECTION NUT		1				
035	JM27000035	SLIDING TABLE		1				
036A_	JM27000036	SLIDING TABLE COVER		1				
037	JM27000037	SELF TAPPING SCREW ST3.9X8		3				
038	JM27000038	CROSS HEAD SCREW M6X16		2				
039	JM27000039	FIX BRACKET A		1				
040A_	JM27000040	MAIN TABLE A		1	*			
040A1	JM27000430	MAIN TABLE A	<	1				
041	JM27000042	CROSS HEAD SCREW M5X10		2				
042	JM27000043	LOCK KNOB		2				
043	JM27000044	SLIDING BAR B		2				
044A_	JM27000045	REAR EXTENSION TABLE		1	*			
044A1	JM27000046	REAR EXTENSION TABLE ASSEMBLY	O	1				
045	JM27000047	BIG FLAT WASHER 5		2				

Item	Parts No.	Description	I/C	QTY	N/O	Opt. 1	Opt. 2	NOTE
046	JM27000048	SPRING WASHER 5		2				
047	JM27000049	CROSS HEAD SCREW M5X14		2				
049	JM27000051	LOCK NUT M6		1				
050	JM27000055	WASHER		1				
051	JM27000056	FIX PLATE		2				
052	JM27000057	LEFT GUARD		1				
053	JM27000058	CONNECTION BOLT		1				
054	JM27000059	PIN 4X8		1				
055	JM27000060	WASHER		1				
056	JM27000061	WRENCH		1				
057	JM27000062	SIDE PROTECTION PLATE		1				
058	JM27000063	PIN		1				
059	JM27000064	WASHER A		1				
060	JM27000065	RING 10		1				
061	JM27000066	CROSS HEAD SUNK SCREW M4X8		6				
062A_	JM27000067	TABLE INSERT		1				
063A_	JM27000068	RIGHT EXTENSION TABLE		1				
064	JM27000069	H.S.BOLT M14X20		2				
065	JM27000070	HEX NUT M8		3				
066	JM27000071	SPRING WASHER 8		3				
067	JM27000072	FLAT WASHER 8		3				
068	JM27000073	SQUARE NECK BOLT M8X25		3				
069	JM27000074	COVER A		1				
070	JM27000075	SUB FRONT RAIL		1				
071	JM27000078	COVER B		1				
072	JM27000079	SLIDING BAR A		2	*			
072-1	JM27000425	SLIDING BAR A	X	2				
073	JM27000082	FRONT RAIL		1				
074	JM27000085	LOCK KNOB A		1				
077A_	JM27000088	FIX PLATE		1				
078	JM27000089	PROTECTION PLATE		1				
079	JM27000090	DUST PORT		1				
080	JM27000091	HEX.BOLT M5X65		1				
081	JM27000092	HEX.BOLT M5X55		1				
082	JM27000093	CORD BRACKET		2				
083	JM27000094	CORD PROTECTION TUBE		1				
084A_	JM27000095	HOOK		2				
085	JM27000096	CROSS HEAD SCREW M5X25		6				
087	JM27000102	CLAMP PLATE		1				
088	JM27000103	CROSS HEAD SELF TAPPING SCREW		2				
089	JM27000104	HEX.BOLT M10X45		1				
090A_	JM27000105	CABINET		1				
091	JM27000108	BOTTOM		1				
092	JM27000109	BIG FLAT WASHER 4		1				
093	JM27000110	FRONT PANEL LABEL		1				
094	JM27000111	HEX BOLT M6X16		2				
095	JM27000112	BRACKET B		1				
096A_	JM27000113	LOGO LABEL		1				

Model No. MLT100 TABLE SAW 255MM

Item	Parts No.	Description	I/C	QTY	N/O	Opt. 1	Opt. 2	NOTE
097	JM27000114	CROSS HEAD SELF TAPPING SCREW		2				
098	JM27000115	SOFT START DEVICE COVER		1				
100	JM27000117	CROSS HEAD SELF TAPPING SCREW		2				
101	JM27000118	STRAIN & RELIEF		2				
102	JM27000119	SWITCH COVER		1				
103	JM27000120	SWITCH BOX		1				
104A_	JM27000121	OVERLOAD SWITCH		1				
105	JM27000122	OVERLOAD SWITCH LABEL		1				
106	JM27000123	OVERLOAD SWITCH NUT		1				
107A_	JM27000124	MAGNETIC SWITCH A (HV)		1	*			
107A1	JM27000443	MAGNETIC SWITCH A (HV)	<	1				
108	JM27000136	CROSS HEAD SCREW M4X14		2				
109	JM27000137	HEX.NUT M6X12		1				
110	JM27000138	LOCK HANDLE		1				
111	JM27000139	LOCK BOLT		1				
112	JM27000140	TORSION SPRING		1				
113	JM27000141	BUSH		1				
114	JM27000142	RACK BRACKET		1				
115	JM27000143	SUPPORT PLATE		1				
116	JM27000144	CROSS HEAD SUNK SCREW M5X8		4				
117A_	JM27000145	TUBE		1				
119A_	JM27000147	MOTOR(230V)		1	*			
D10		INC. 246-250,253,256,257,260,			*			
D20		INC. 262,263,319-322,431,			*			
D30		INC. 446-448,466,467			*			
120	JM27000148	BRACKET		1				
121	JM27000149	H.S.BOLT M6X20		2				
122	JM27000150	RIVING KNIF		1				
123	JM27000151	FIX PLATE		1				
124	JM27000152	SLIDING PLATE		1				
125	JM27000153	FRAME		1				
126	JM27000154	COVER		1				
127	JM27000155	FLAT WASHER 5		2				
128	JM27000156	CROSS HEAD SCREW M5X20		2				
129	JM27000157	BAR		2				
130	JM27000158	ROD		1				
131	JM27000159	KEY 4X8		1				
132	JM27000160	ADJUSTING BRACKET		1				
133	JM27000161	H.S.BOLT M5X20		2				
134	JM27000162	BEVEL GEAR		1				
135	JM27000163	RETAINING RING 10		1				
136	JM27000164	POINTER		1				
137	JM27000165	ROD		1				
138	JM27000166	WHEEL		1				
139	JM27000167	CROSS HEAD SCREW M5X12		1				
140	JM27000168	KNOB		1				
141	JM27000169	SCREW		1				
142	JM27000170	PROTECTION PLATE		1				

Model No. MLT100 TABLE SAW 255MM

Item	Parts No.	Description	I/C	QTY	N/O	Opt. 1	Opt. 2	NOTE
143	JM27000171	INNER FLANGE		1				
144	JM27000172	H.S.BOLT WITH GLUE M6X12		1				
145	JM27000173	PLATE		2				
146	JM27000174	CROSS HEAD SCREW M3X25		2				
147	JM27000175	BIG WASHER 3		2				
148	JM27000176	HEX LOCK NUT M3		2				
149	JM27000177	SELF TAPPING SCREW ST3.9X10		1				
150	JM27000178	PROTECTION PLATE		1				
151	JM27000179	OUTER FLANGE		1				
152	JM27000180	NUT M16		1				
153	JM27000181	PROTECTION PLATE		1				
154	JM27000182	PLATE		1				
155	JM27000183	NUT M5		1				
156	JM27000184	SUPPORT BRACKET		1				
157	JM27000185	COVER		1				
158	JM27000186	HANDLE		1				
159	JM27000187	PIN 3X30		1				
160	JM27000188	PIN		1				
161	JM27000189	ECCENTRIC WHEEL		1				
162	JM27000190	FRICTION PAD		1				
163	JM27000191	PIN		1				
164A_	JM27000192	BRACKET		1				
165	JM27000193	PRESSION SPRING		1				
166	JM27000194	PAW		1				
168	JM27000196	SCREW		1				
169	JM27000197	POINTER		1				
170	JM27000198	CROSS HEAD SCREW M4X8		1				
171	JM27000199	BRACKET		1				
172	JM27000200	INSERT		1				
173	JM27000201	RIP FENCE		1				
174	JM27000203	LOCK NUT		2				
175	JM27000204	SQUARE NECK BOLT M6X60		2				
176	JM27000205	INSERT		1				
177	JM27000206	SLIDING BAR		1				
178	JM27000207	POINTER		1				
179	JM27000208	FLAT WASHER 3		1				
180	JM27000209	CROSS HEAD SCREW M3X8		1				
181	JM27000210	WING NUT		1				
182	JM27000211	BIG WASHER 6		2				
183	JM27000212	WASHER		1				
184	JM27000213	LOCK KNOB		1				
185	JM27000214	SCALE LABEL		1				
186	JM27000215	HANDLE		1				
187	JM27000216	PIN		1				
188	JM27000217	THREAD ROD		1				
189	JM27000218	LINK		1				
190	JM27000219	PLATE		1				
191	JM27000220	INSERT		2				

Item	Parts No.	Description	I/C	QTY	N/O	Opt. 1	Opt. 2	NOTE
192	JM27000221	FENCE		1				
193	JM27000222	SQUARE NECK BOLT M6X30		2				
194A_	JM27000223	MITER GUAGE		1				
195	JM27000225	PAD		1				
246	JM23000154	POWER SUPPLY CORD		1				
247	JM27000292	CROSS HEAD SCREW M5X8		2				
248	JM27000293	COVER		1				
249	JM27000294	BRUSH COVER		2				
250	JM23000123	CARBON BRUSH		1				
251	JM27000296	BRUSH HOLDER		2				
253	JM27000299	CLAMP PLATE		1				
254	JM27000361	ABSORB RING		1				
255	JM27000301	BEARING 6001-2Z		1	*			
255-1	JM27000445	BEARING 6001DDW	<	1				
256A_	JM27000302	STATOR(230V)		1				
257	JM27000305	CROSS HEAD SELF TAPPING SCREW		2				
258A_	JM27000306	ROTOR(230V)		1				
259	JM27000312	BEARING 6201-2Z		1	*			
259-1	JM27000446	BEARING 6201DDW	<	1				
260	JM27000313	RING		1				
261	JM27000314	GEAR BOX		1	*			
261-1	JM27000423	GEAR BOX	<	1				
262	JM27000316	CROSS HEAD SCREW M5X35		4				
263	JM27000317	CROSS HEAD SUNK SCREW M5X16		3				
264	JM27000318	GEAR COVER		1				
265	JM27000319	BEARING 6003-2Z		1				
266	JM27000320	RETAINING RING 35		1				
267	JM27000321	OUTER SHAFT		1				
268	JM27000323	KEY 5X6.5X16		1				
269	JM27000324	GEAR		1				
270	JM27000325	RETAINING RING 16		1				
271	JM27000326	BUSH		1				
272	JM27000327	SLIDING TABLE PAD		2				
275	JM27000330	HOOK		1				
277	JM27000332	CLAMP		2				
278	JM27080019	NAME PLATE		1				
280A_	JM27000333	SCALE LABEL		1				
281A_	JM27000335	SCALE LABEL		1				
283A_	JM27000337	SCALE LABEL		2	*			
283A1	JM27000428	SCALE LABEL	X	2				
284	JM27000339	H.S.BOLT WITH GLUE M6X20		2				
285	JM27000340	BLADE GUARD		1				
286	JM27000341	CROSS HEAD SELF TAPPING SCREW		4				
287	JM27080020	WARNING LABEL		1				
288	JM27080060	WARNING LABEL		1				
309A_	JM27000052	UP BLADE GUARD ASSEMBLY (EU TY		1				
D10		INC. 49-60,122,285,286,288						
310A_	JM27000076	SUB FRONT RAIL ASSEMBLY (MMSA		1				

Model No. MLT100 TABLE SAW 255MM

Item	Parts No.	Description	I/C	QTY	N/O	Opt. 1	Opt. 2	NOTE
D10		INC. 70,281						
311A_	JM27000080	SLIDING BAR A ASSEMBLY (MMSCAL		1	*			
D10		INC. 72,283			*			
311A1	JM27000426	SLIDING BAR A ASSEMBLY (MMSCAL	X	1				
D10		INC. 72,283						
312A_	JM27000083	FRONT RAIL ASSEMBLY (MMSCALE)		1				
D10		INC. 73,280						
313B_	JM27000101	BLADE INNER LING 25.4		1				
314A_	JM27000106	CABINET ASSEMBLY(A)		1				
315D_	JM27000130	SWITCH ASSY 4 SWA SOX CAX		1				
D10		INC. 97,98,100-108,430,498						
316A_	JM27000202	RIP FENCE ASSEMBLY		1				
D10		INC. 121,158-166,168-173,175						
D20		INC. 176,418,435,458,484,500						
D30		INC. 501,521						
317A_	JM27000224	MITER GUAGE ASSEMBLY		1				
D10		INC. 92,157,174,177-195,452,						
D20		INC. 483,485,523						
319	JM27000298	MOTOR HOUSE ASSEMBLY		1				
D10		INC. 251						
320A_	JM27000309	ROTOR(230V)ASSEMBLY		1				
D10		INC. 254,255,258,259						
321	JM27000315	GEAR BOX ASSEMBLY		1	*			
D10		INC. 261,271			*			
321-1	JM27000424	GEAR BOX ASSEMBLY	<	1				
D10		INC. 261,271						
322	JM27000322	OUTER SHAFT ASSEMBLY		1				
D10		INC. 264-270						
411	JM27000024	FLAT WASHER 6		12				
412	JM27000024	FLAT WASHER 6		12				
413	JM27000024	FLAT WASHER 6		2				
414	JM27000024	FLAT WASHER 6		2				
415	JM27000024	FLAT WASHER 6		2				
416	JM27000024	FLAT WASHER 6		2				
417	JM27000024	FLAT WASHER 6		2				
418	JM27000024	FLAT WASHER 6		2				
424	JM27000004	CROSS HEAD SELF TAPPING SCREW		2				
426	JM27000004	CROSS HEAD SELF TAPPING SCREW		2				
427	JM27000004	CROSS HEAD SELF TAPPING SCREW		2				
428	JM27000004	CROSS HEAD SELF TAPPING SCREW		6				
429	JM27000004	CROSS HEAD SELF TAPPING SCREW		2				
430	JM27000004	CROSS HEAD SELF TAPPING SCREW		2				
431	JM27000004	CROSS HEAD SELF TAPPING SCREW		2				
432	JM27000009	FLAT WASHER 4		4				
433	JM27000009	FLAT WASHER 4		1				
434	JM27000009	FLAT WASHER 4		1				
435	JM27000009	FLAT WASHER 4		1				
437	JM27000009	FLAT WASHER 4		2				

Item	Parts No.	Description	I/C	QTY	N/O	Opt. 1	Opt. 2	NOTE
438	JM27000009	FLAT WASHER 4		2				
439	JM27000009	FLAT WASHER 4		2				
440	JM27000009	FLAT WASHER 4		1				
441	JM27000155	FLAT WASHER 5		2				
442	JM27000155	FLAT WASHER 5		2				
443	JM27000155	FLAT WASHER 5		1				
444	JM27000155	FLAT WASHER 5		1				
445	JM27000155	FLAT WASHER 5		2				
446	JM27000155	FLAT WASHER 5		4				
447	JM27000155	FLAT WASHER 5		2				
448	JM27000155	FLAT WASHER 5		2				
449	JM27000016	CROSS HEAD SCREW M6X10		3				
450	JM27000033	HEX BOLT M6X10		3				
451	JM27000013	SPRING WASHER 4		4				
452	JM27000013	SPRING WASHER 4		1				
453	JM27000013	SPRING WASHER 4		2				
454	JM27000013	SPRING WASHER 4		2				
455	JM27000013	SPRING WASHER 4		1				
457	JM27000017	SPRING WASHER 6		3				
458	JM27000017	SPRING WASHER 6		2				
459	JM27000017	SPRING WASHER 6		2				
460	JM27000017	SPRING WASHER 6		2				
461	JM27000017	SPRING WASHER 6		2				
462	JM27000032	HEX. NUT M6		1				
463	JM27000048	SPRING WASHER 5		2				
464	JM27000048	SPRING WASHER 5		2				
465	JM27000048	SPRING WASHER 5		1				
466	JM27000048	SPRING WASHER 5		4				
467	JM27000048	SPRING WASHER 5		2				
468	JM27000042	CROSS HEAD SCREW M5X10		2				
469	JM27000042	CROSS HEAD SCREW M5X10		2				
470	JM27000042	CROSS HEAD SCREW M5X10		2				
471	JM27000042	CROSS HEAD SCREW M5X10		2				
472	JM27000042	CROSS HEAD SCREW M5X10		1				
473	JM27000109	BIG FLAT WASHER 4		2				
474	JM27000109	BIG FLAT WASHER 4		6				
475	JM27000109	BIG FLAT WASHER 4		2				
476	JM27000109	BIG FLAT WASHER 4		1				
477	JM27000011	CROSS HEAD SCREW M4X12		4				
478	JM27000011	CROSS HEAD SCREW M4X12		1				
479	JM27000011	CROSS HEAD SCREW M4X12		1				
480	JM27000011	CROSS HEAD SCREW M4X12		2				
481	JM27000047	BIG FLAT WASHER 5		6				
482	JM27000047	BIG FLAT WASHER 5		2				
483	JM27000066	CROSS HEAD SUNK SCREW M4X8		2				
484	JM27000066	CROSS HEAD SUNK SCREW M4X8		1				
485	JM27000027	CROSS HEAD SCREW M4X10		1				
486	JM27000027	CROSS HEAD SCREW M4X10		2				

