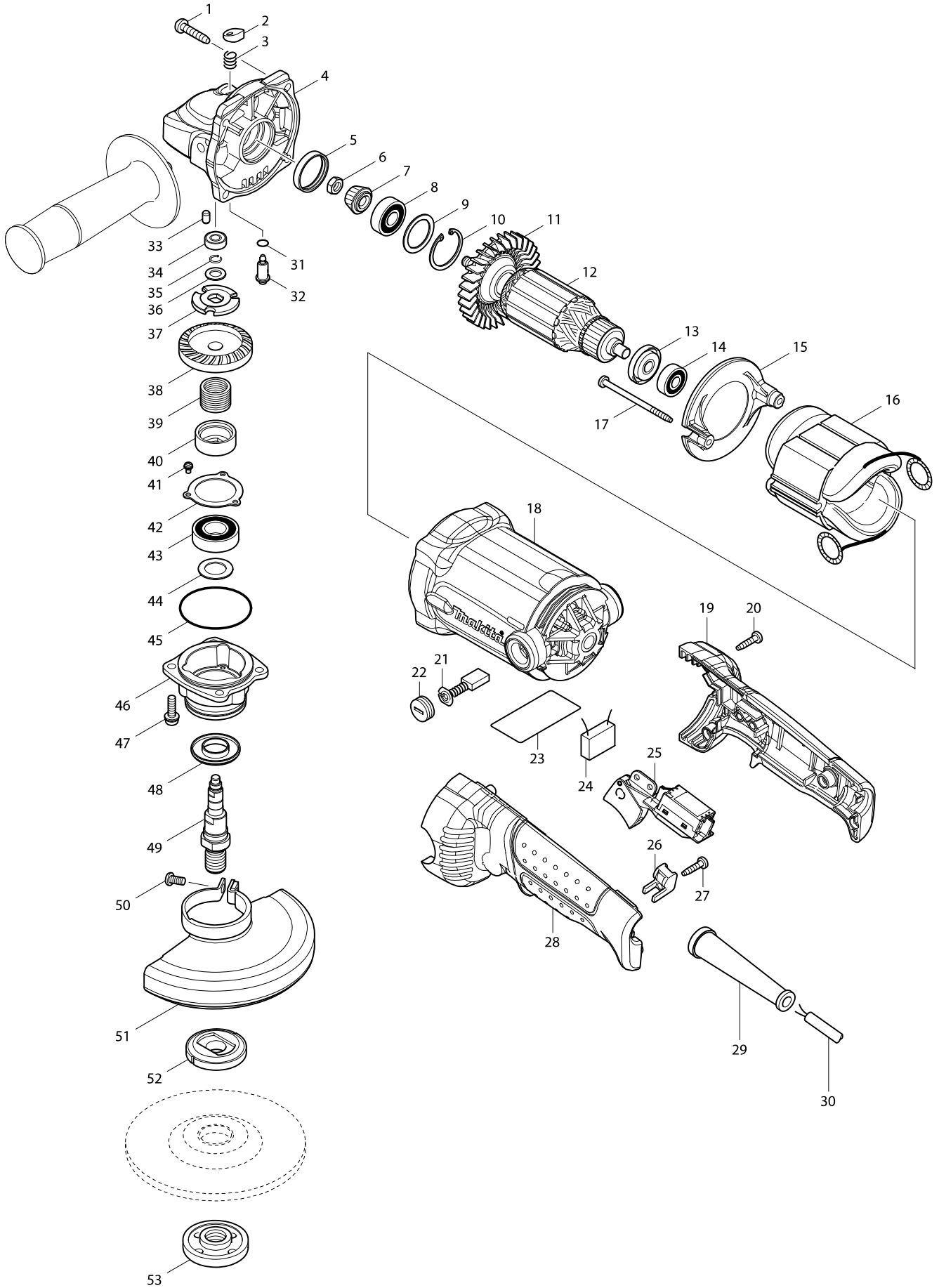


Model No. GA5020 ANGLE GRINDER 125MM



Model No. GA5020 ANGLE GRINDER 125MM

Item	Parts No.	Description	I/C	QTY	N/O	Opt. 1	Opt. 2	NOTE
001	266041-8	TAPPING SCREW 5X25		4	*			
001-1	266459-3	TAPPING SCREW 5X25	O	4				
002	417771-6	PIN CAP		1				
003-1	234057-1	COMPRESSION SPRING 8		1				
004	318158-4	GEAR HOUSING		1				
005	262132-3	RUBBER RING 27		1				
006	264010-3	HEX.NUT M7		1				
007	227517-0	SPIRAL BEVEL GEAR 13		1				
008	211088-7	BALL BEARING 6000DDW		1	*			
008-1	210059-1	BALL BEARING 6000DDW	<	1				
009	267352-4	FLAT WASHER 22		1				
010	962107-9	RETAINING RING (INT) R-30		1				
011	240094-5	FAN 70		1				
012	513703-2	ARMATURE ASS'Y 220V		1				
D10		INC. 11,13,14						
013	681644-1	INSULATION WASHER		1				
014	210044-4	BALL BEARING 608DDW		1				
015	419961-7	BAFFLE PLATE		1				
016	525768-2	FIELD ASS'Y 220-240V		1				
C10	654020-2	RING TERMINAL		2				
C20	654501-6	CONNECTOR P-1.25		2				
017	266340-8	TAPPING SCREW 4X65		2				
018	158278-0	MOTOR HOUSING COMPLETE		1				
C10	643708-9	BRUSH HOLDER 5-11		2				
019	188291-4	HANDLE SET		1				
D10		INC. 28						
020	266326-2	TAPPING SCREW 4X18		4				
021	191963-2	CARBON BRUSH CB-303		1	*			
021-1	194996-6	CARBON BRUSH CB-303	<	1				
022	643750-0	BRUSH HOLDER CAP 7-11		2				
023	863611-0	GA5020 NAME PLATE		1				
025	651193-2	SWITCH TG933TR-1		1				
026	687261-5	STRAIN RELIEF		1				
027	266326-2	TAPPING SCREW 4X18		1				
028	188291-4	HANDLE SET		1				
D10		INC. 19						
029	682574-9	CORD GUARD 10-90		1				
030	691015-4	POWER SUPPLY CORD 0.75-2-2.5		1				
031	213977-2	O RING 7		1				
032	256505-0	SHOULDER PIN 5		1				
033	263002-9	RUBBER PIN 4		1				
034	210033-9	BALL BEARING 696ZZ		1				
035	233926-3	RING SPRING 7		1				
036	253835-0	FLAT WASHER 8		1				
037-1	267811-8	LOCK WASHER		1				
038	227519-6	SPIRAL BEVEL GEAR 34B		1				
039	233957-2	LOCK SPRING 16		1	*			
039-1	234356-1	LOCK SPRING 16	<	1				

