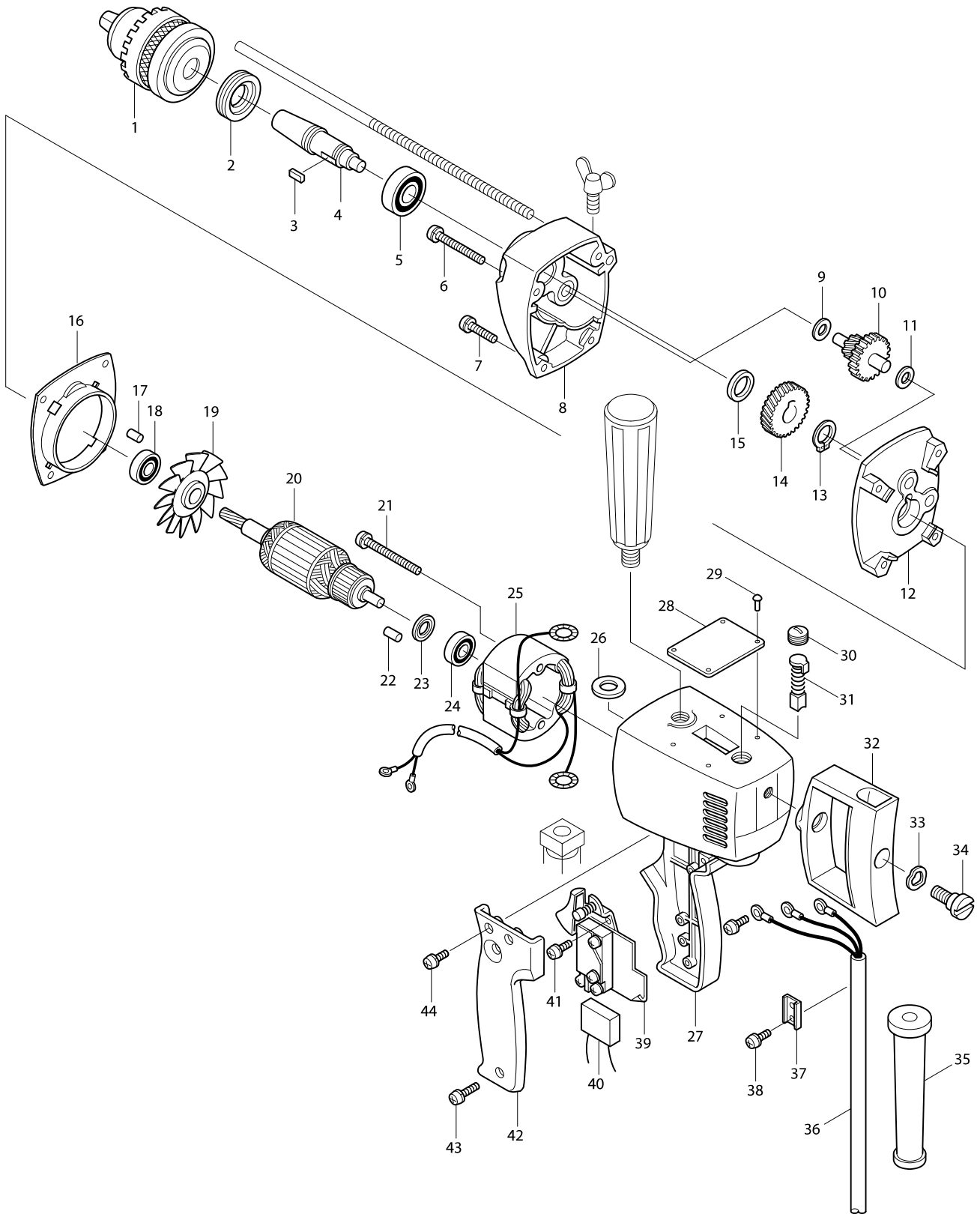


# Model No. 6016 DRILL 16MM



# Model No. 6016 DRILL 16MM

Item	Parts No.	Description	I/C	QTY	N/O	Opt. 1	Opt. 2	NOTE
001	763011-3	DRILL CHUCK 16		1				
002	285807-7	BEARING RETAINER 22-36		1				
003	254211-1	KEY 5		1				
004	325085-8	SPINDLE		1				
005	211206-7	BALL BEARING 6202LLB		1				
006	911271-3	PAN HEAD SCREW M5X50		2				
007	911251-9	PAN HEAD SCREW M5X30		2				
008	156652-6	GEAR HOUSING		1				
C10	214001-4	PLANE BEARING 8		1				
009	261011-2	FIBER WASHER 8		1				
010	226009-6	GEAR COMPLETE 11-47		1				
011	261011-2	FIBER WASHER 8		1				
012	156651-8	GEAR HOUSING COVER		1				
C10	214001-4	PLANE BEARING 8		2				
C20	253305-9	THIN WASHER 2		2				
D10		INC. 17						
013	961055-9	RETAINING RING S-15		1				
014	221105-5	HELICAL GEAR 56		1				
015	257043-5	RING 15		1				
016	343077-5	BAFFLE PLATE		1				
017	263002-9	RUBBER PIN 4		1				
018	211056-0	BALL BEARING 629LLB		1	*			
018-1	210042-8	BALL BEARING 629LLB	O	1				
019	241037-0	FAN 68		1				
020C_	512165-1	ARMATURE ASS'Y 220V		1				
D10		INC. 18,19,23,24						
021-1	911280-2	PAN HEAD SCREW M5X55		2				
022	263002-9	RUBBER PIN 4		1				
023	213001-1	DUST SEAL 7		1				
024	211026-9	BALL BEARING 627LLB		1	*			
024-1	210025-8	BALL BEARING 627LLB	O	1				
025C_	522165-3	FIELD ASS'Y 220V		1				
C10	654018-9	RING TERMINAL		2				
C20	654501-6	CONNECTOR P-1.25		2				
026	681000-5	INSULATION WASHER		2				
027-1	156648-7	MOTOR HOUSING		1	*			
027-2	159587-0	MOTOR HOUSING	S	1				
C10	643556-6	BRUSH HOLDER 5-8		2				
D10		INC. 22						
028	811634-2	NAME PLATE 6016		1				
029	953106-2	RIVET 0-5		4				
030	643550-8	BRUSH HOLDER CAP 5-8		2				
031B_	181021-2	CARBON BRUSH CB-51		1	*			
031B1	194963-1	CARBON BRUSH SET CB-51	<	1				
032	273605-1	GRIP		1				
033	253904-7	WAVE WASHER 12		1				
034	251411-4	- FLAT HEAD SCREW M10		1				
035	682504-0	CORD GUARD 10-85		1				

